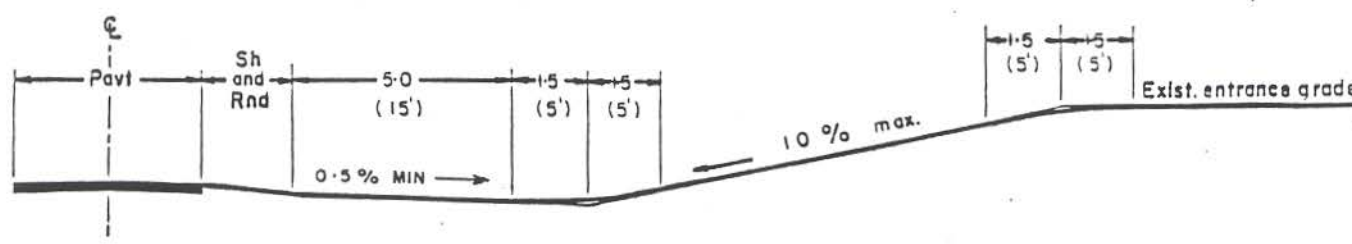


PLAN

Entrance radii
 Private or field - 5.0 m (15 ft.)
 Farm - 10.0 m (30 ft.)



Culvert

Min. Dia. 400mm (15")
 Min. cover 300 mm (12")
 Min. length 9.0 m (30')

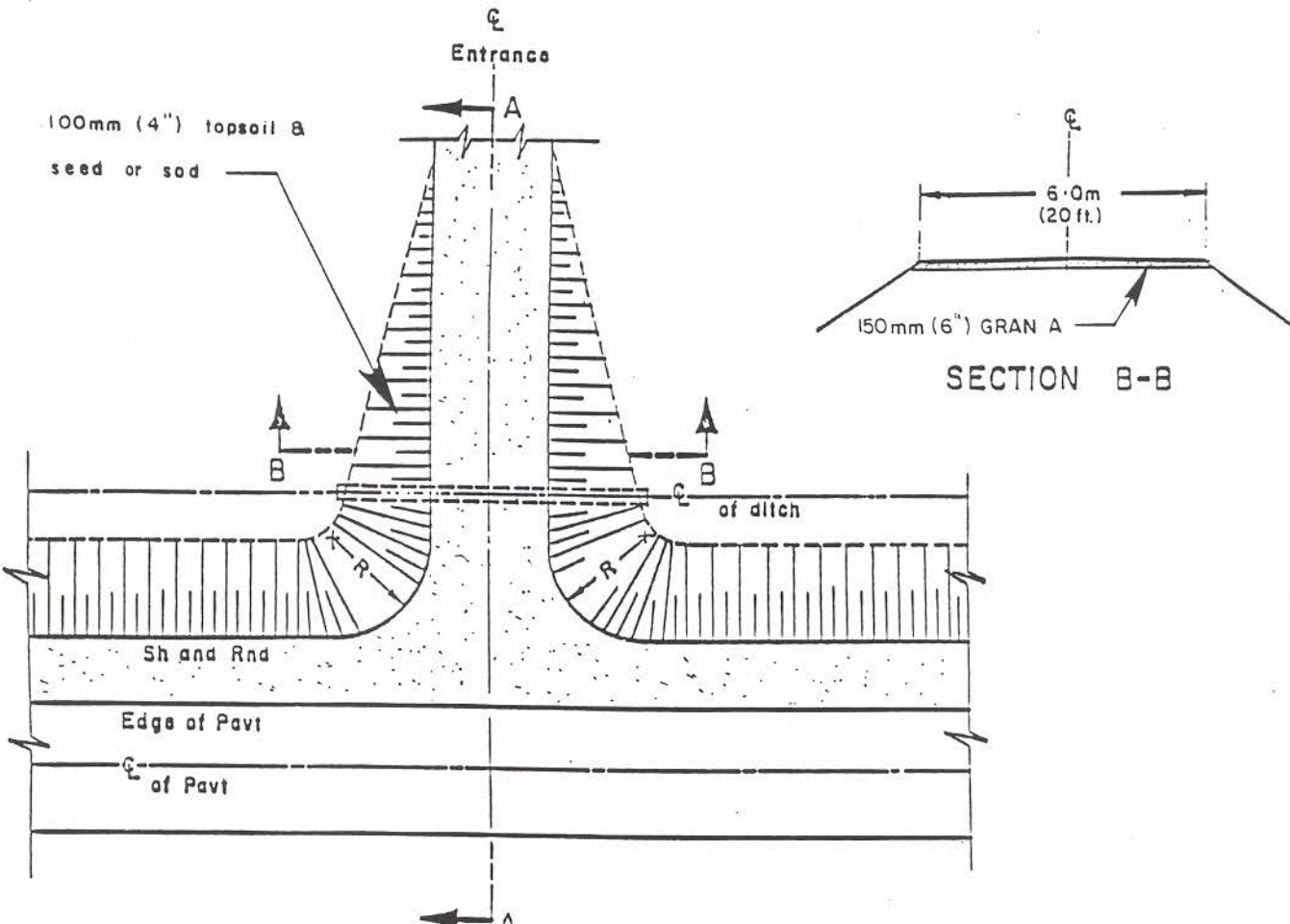


SECTION A-A

NOTE: All dimensions are in metres or millimetres unless otherwise specified.

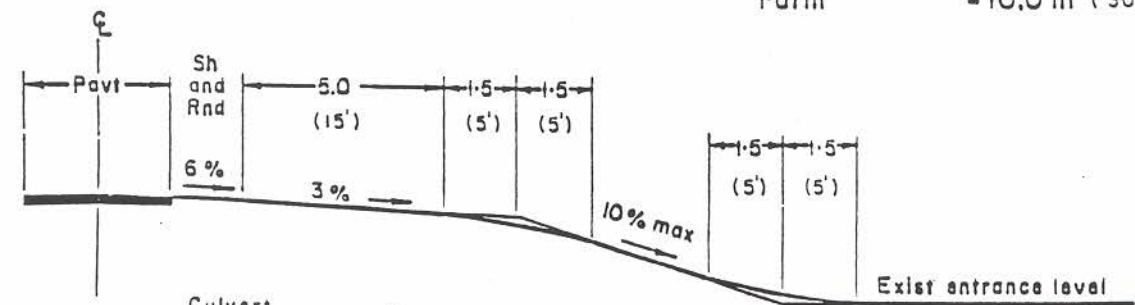
EARTH CUT

PERTH COUNTY	
ENTRANCE	
RESIDENTIAL, FARM OR FIELD	
FIG.1A	JULY 1999



PLAN

Entrance radii
 Private or field- 5.0 m (15 ft.)
 Farm - 10.0 m (30 ft.)

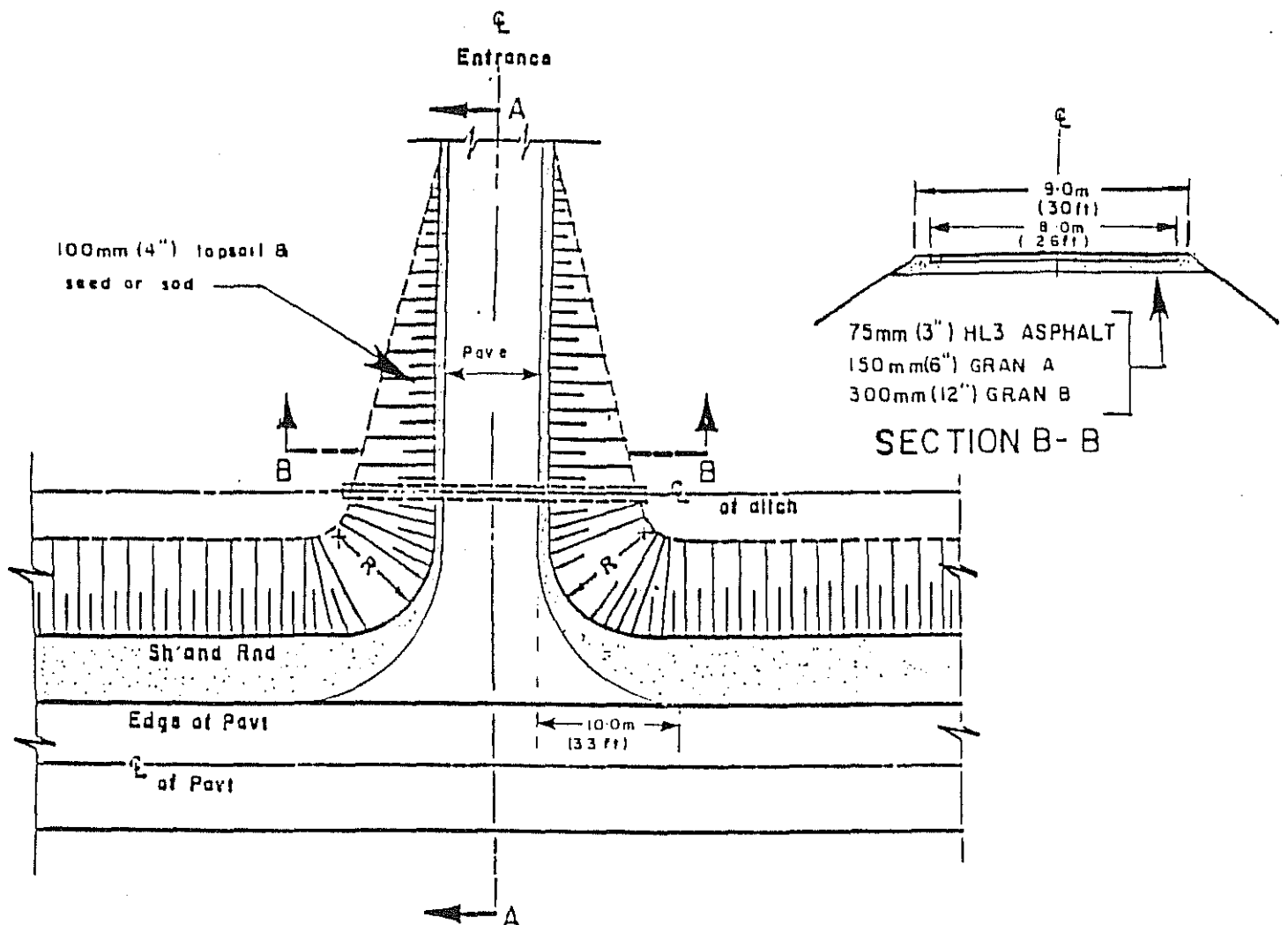


Culvert
 Min. Dia. 400mm (15")
 Min. cover 300 mm (12")
 Min length 9.0m (30')
 SECTION A-A

NOTE: All dimensions are in metres or millimetres unless otherwise specified.

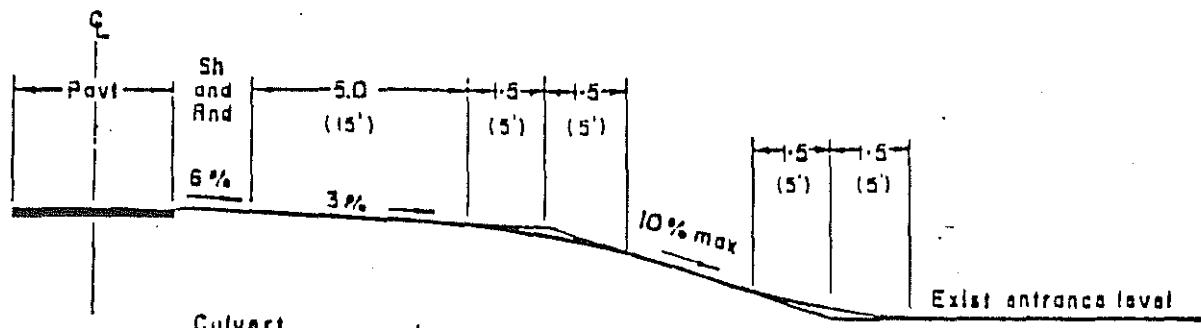
EARTH FILL

PERTH COUNTY
ENTRANCE
RESIDENTIAL, FARM OR FIELD
FIG 1B
JULY 1999



PLAN

Entrance radii
Commercial - 15m (49ft)



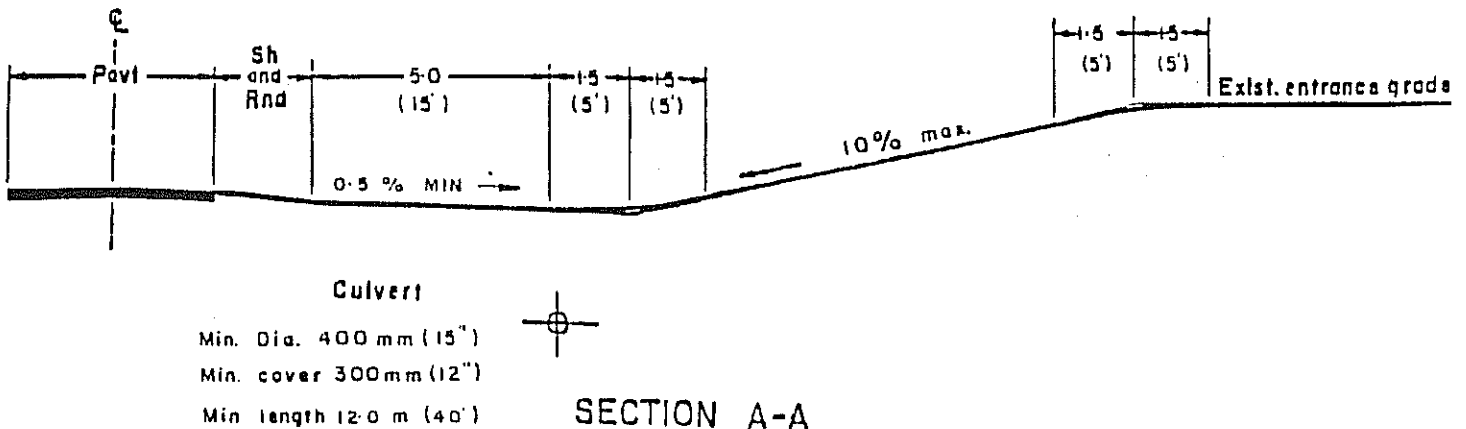
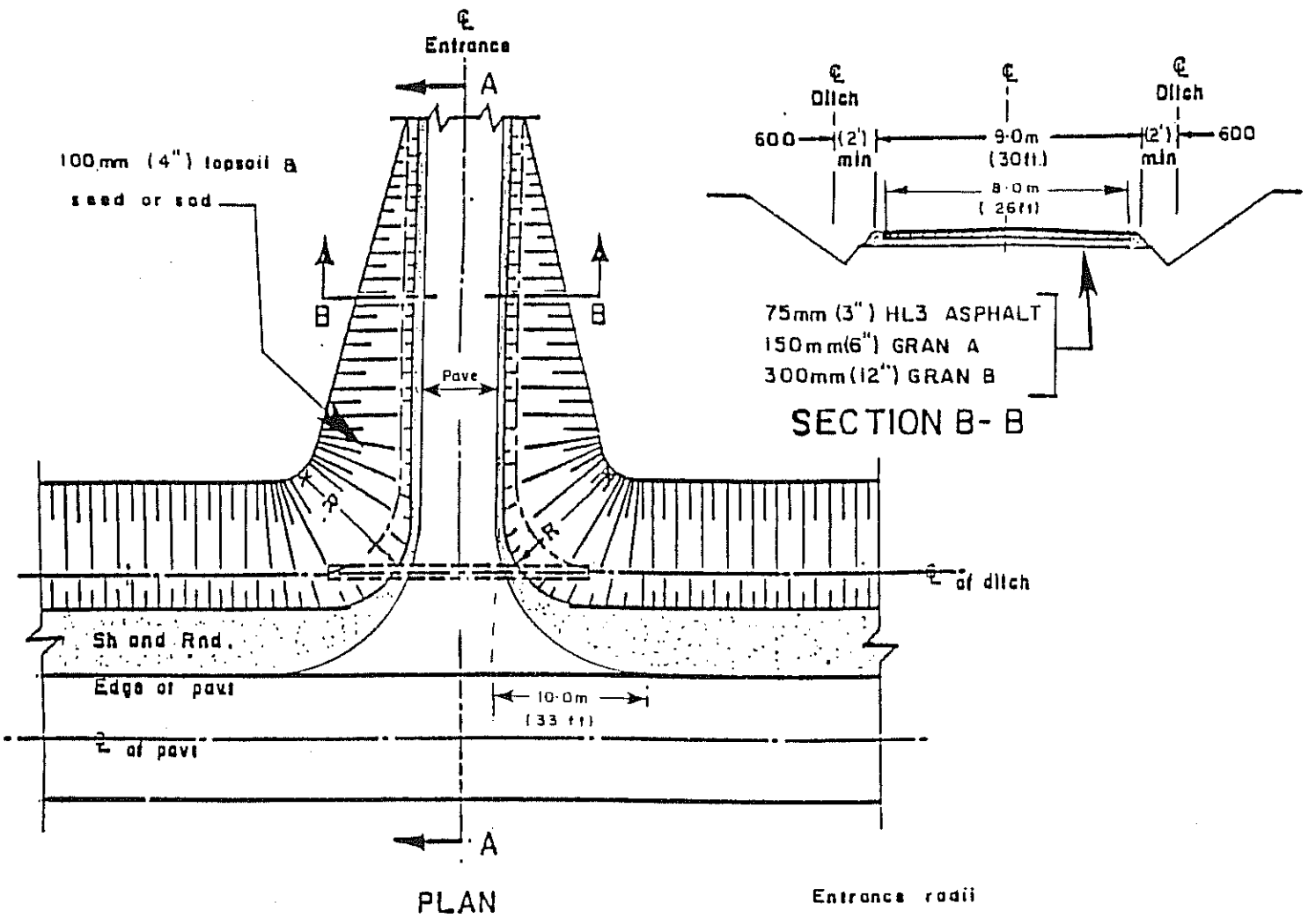
Culvert
Min. Dia. 400mm (15")
Min. cover 300mm (12")
Min. length 12.0m (40')

SECTION A-A

NOTE: All dimensions are in metres or millimetres unless otherwise specified.

EARTH FILL

PERTH COUNTY	
ENTRANCE	
COMMERCIAL / INDUSTRIAL	/ INSTITUTIONAL
FIG.2A	JULY 1999



NOTE: All dimensions are in metres or millimetres unless otherwise specified.

EARTH CUT

PERTH COUNTY	
ENTRANCE	
COMMERCIAL / INDUSTRIAL / INSTITUTIONAL	
FIG.2B	JULY 1999